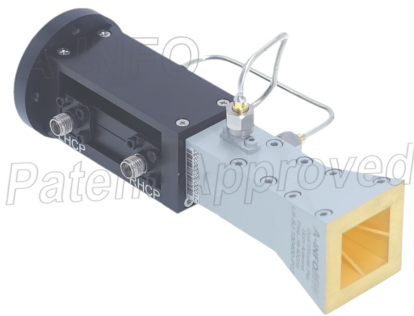


For reference only. See data sheet for the detailed specifications.

## Technical Specification



Frequency Range(GHz)	18.0 – 40.0
Gain(dBic)	13 Typ.
Polarization	Dual Circular
Axial Ratio(dB)	1.5 Typ.
	3.0 Max.
3dB Beamwidth(deg)	E Plane: 53 - 26
	H Plane: 51 - 26
Port to Port Isolation(dB)	15 Typ.
VSWR	2.0:1 Max.
Connector	2.92mm-Female
Power Handling(W CW)	20 Max.
Material	Cu
Finish	Gold Plated and Anodizing, Gray Paint
Size(mm)	57.2 x 64.5 x 126.5
Net Weight(Kg)	0.38 Around

**PATENT ID (US)**

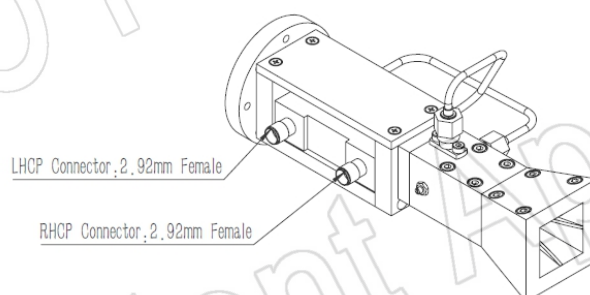
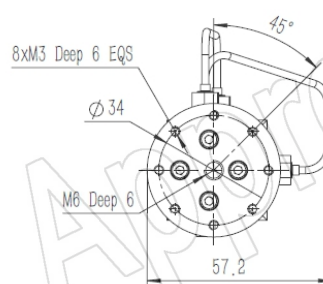
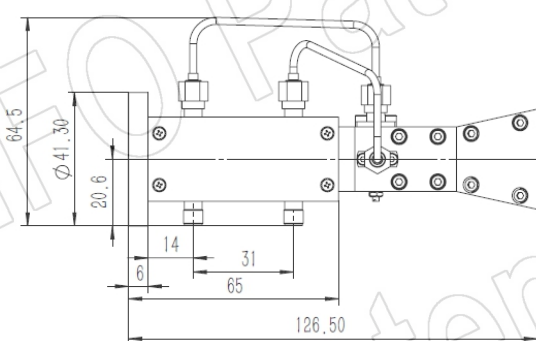
**US D869447S**

**PATENT ID (China)**

**ZL201822143668.8, ZL202120347847.2, ZL201630454752.5**

## Outline Drawing (Size: mm)

2.92mm-Female Output (P/N: LB-SJ-180400-P03)



**AINFO Inc.**

China(Beijing):  
China(Chengdu):  
USA :

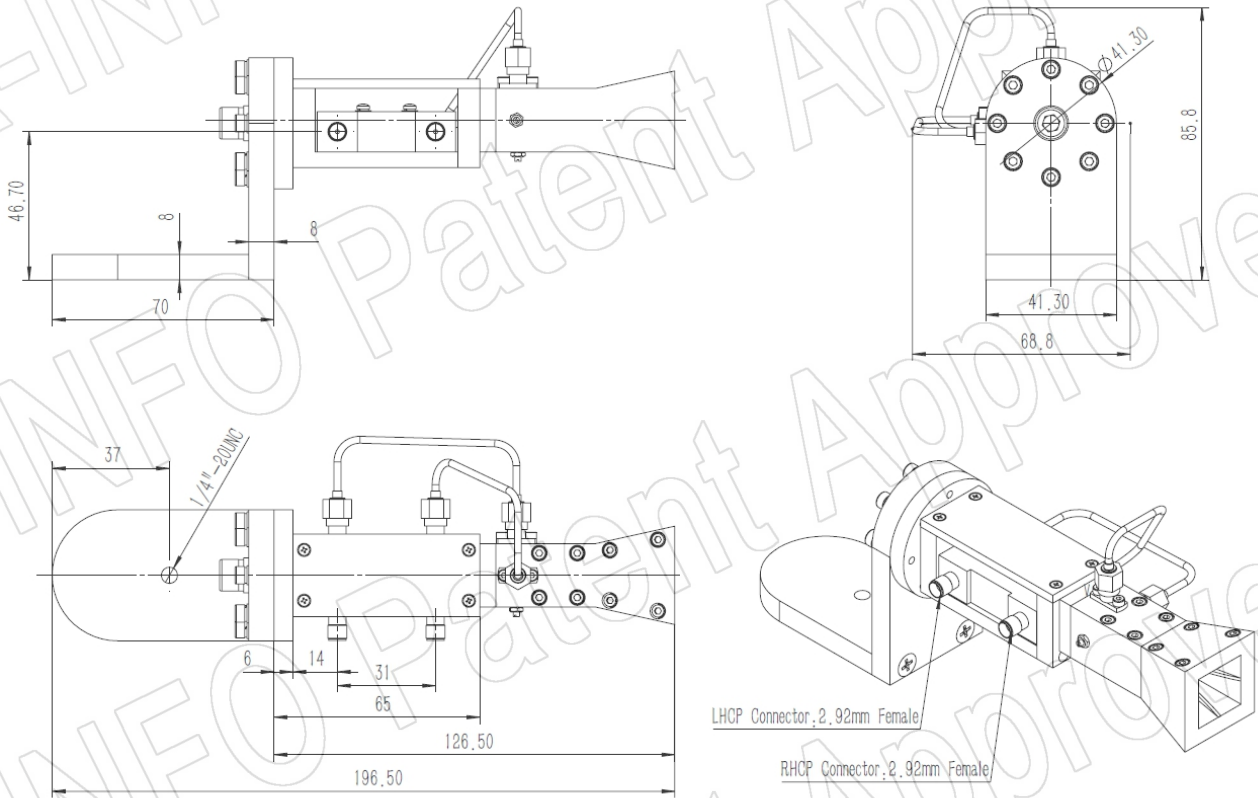
Tel: (+86) 10-6266-7326,  
(+86) 28-8519-2786,  
Tel: (+1) 949-639-9688,

(+86) 10-6266-7327  
(+86) 28-8519-3044  
(+1) 949-639-9608

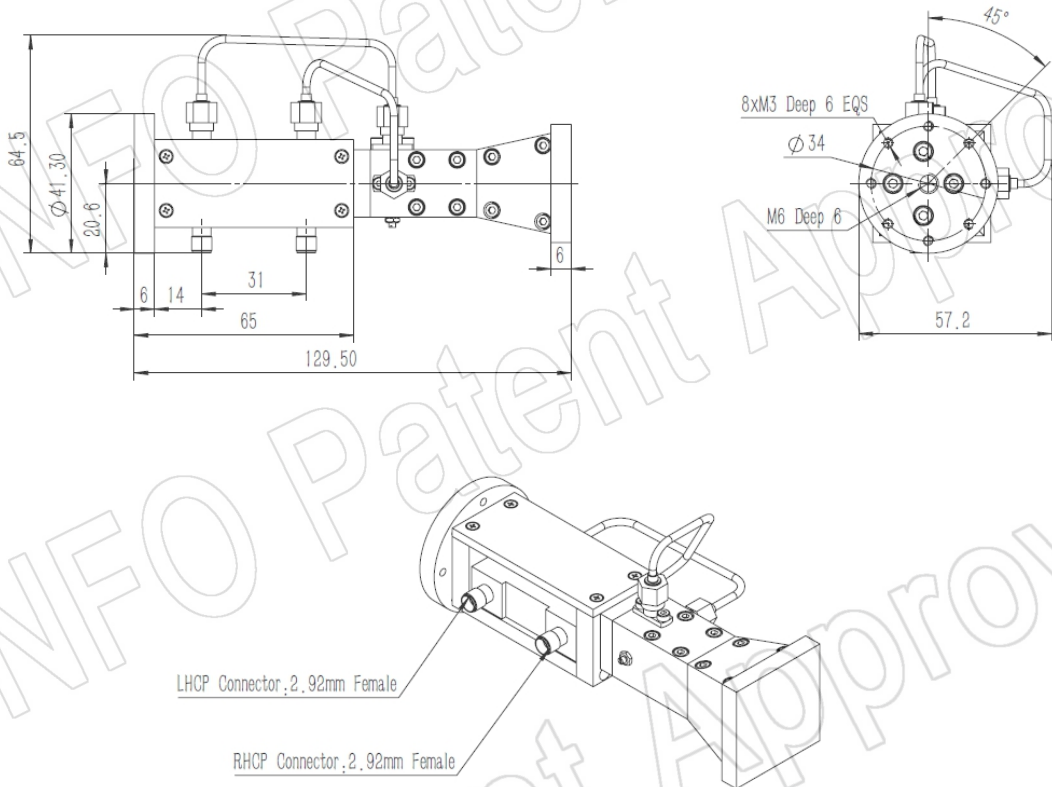
Fax: (+86) 10-6266-7379  
Fax: (+86) 28-8519-3068  
Fax: (+1) 949-639-9670

Website: [www.ainfoinc.com](http://www.ainfoinc.com)  
Email: [sales@ainfoinc.com](mailto:sales@ainfoinc.com)

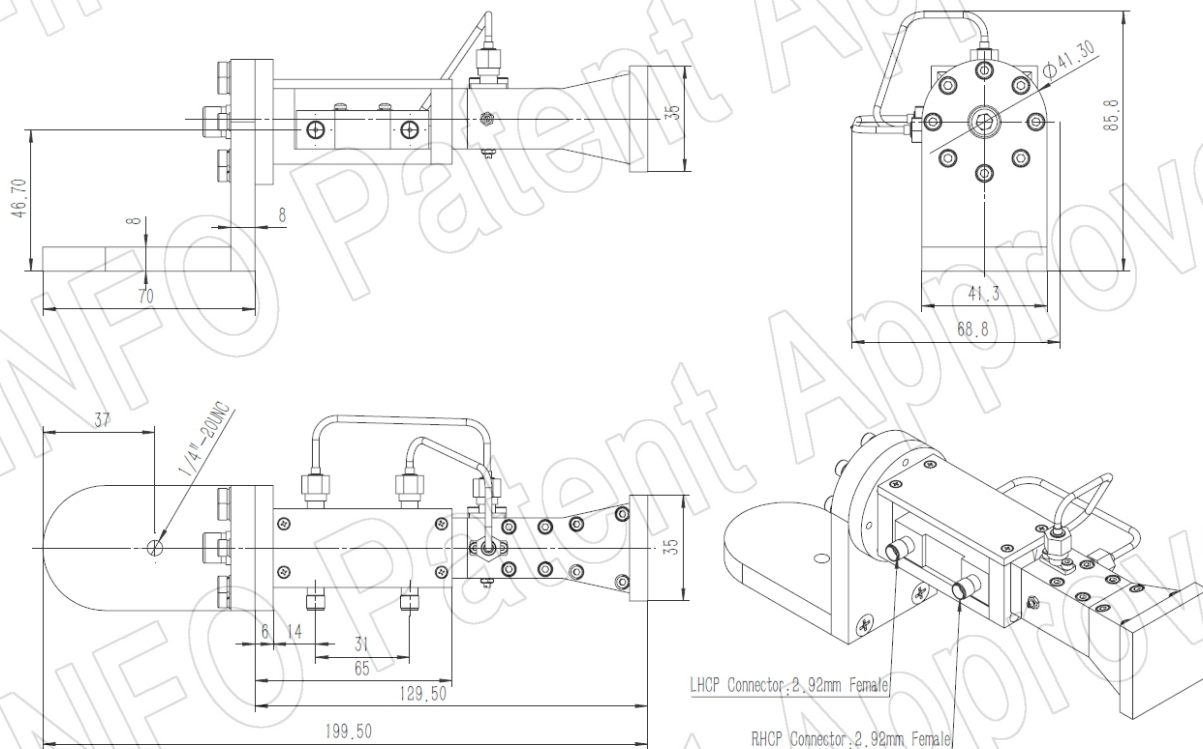
2.92mm-Female Output with L Type Mounting Bracket (Option, P/N: LB-20180-L)



2.92mm-Female Output with Radome (Option, P/N: LB-SJ-180400-P03SPO, Application Outdoor)

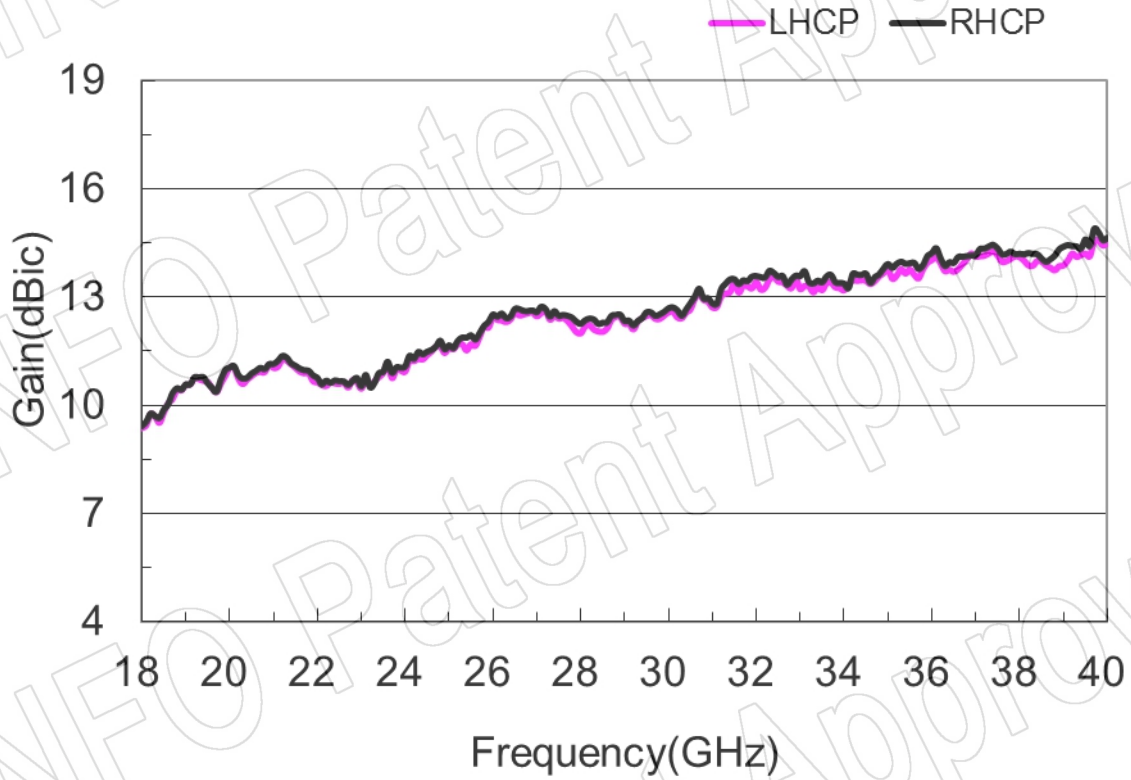


2.92mm Female Output with L Type Mounting Bracket & Radome (Option, P/N: LB-20180-L & LB-SJ-180400-P03SPO, Application Outdoor)

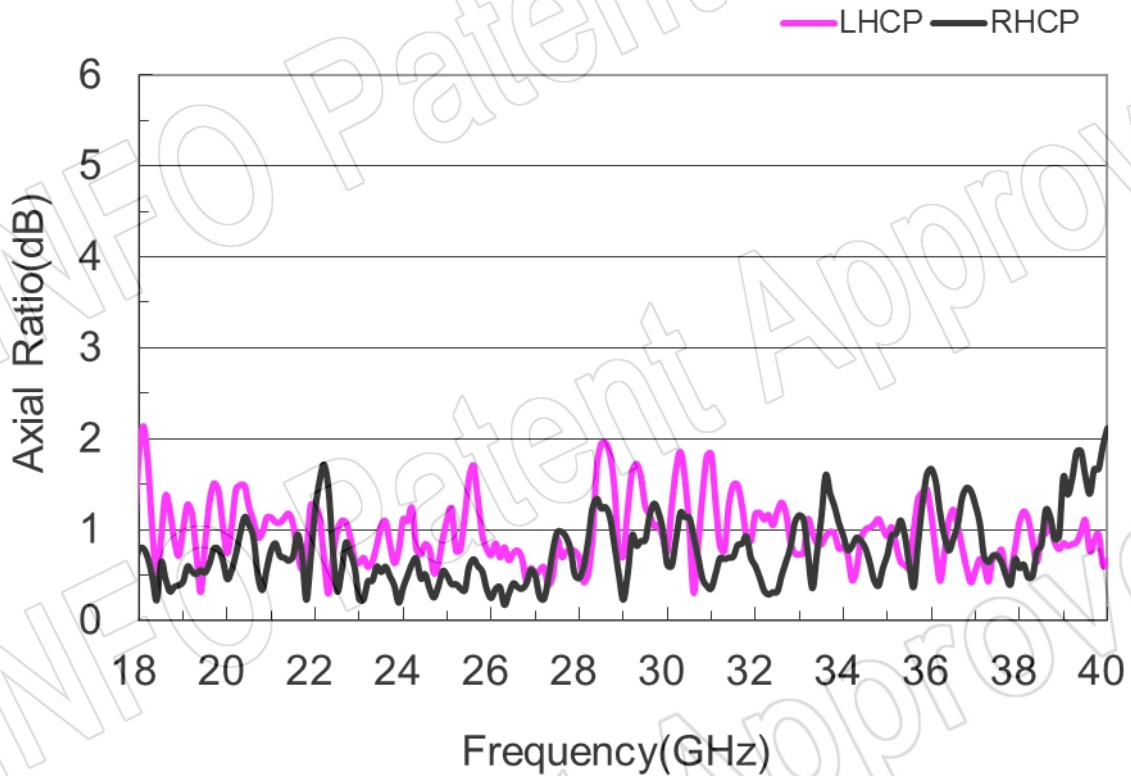


## Test Results

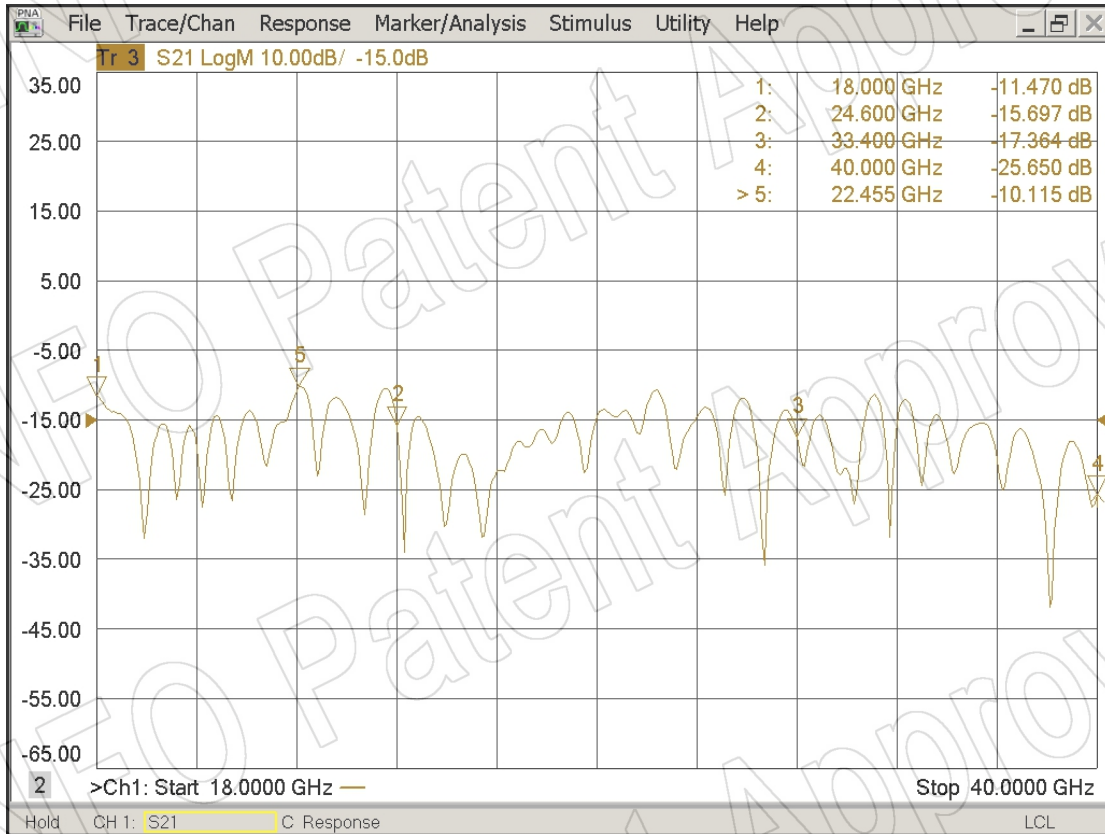
### 1. Gain



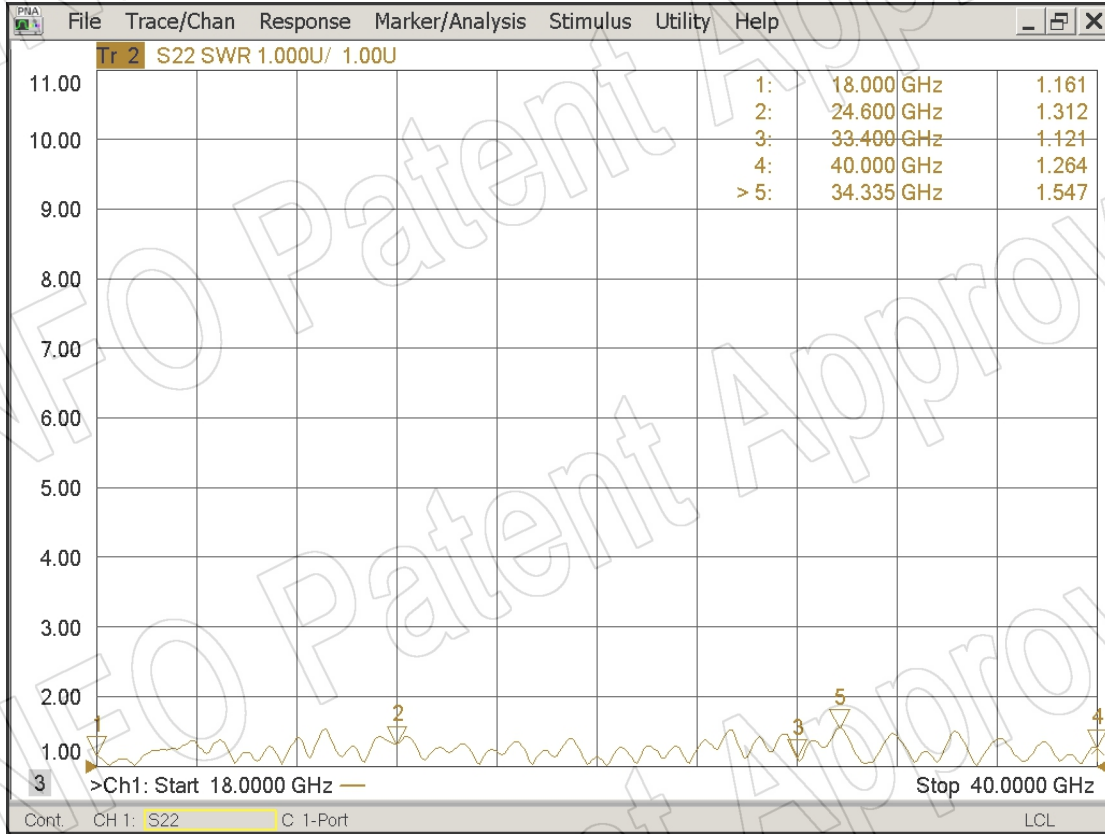
### 2. Axial Ratio



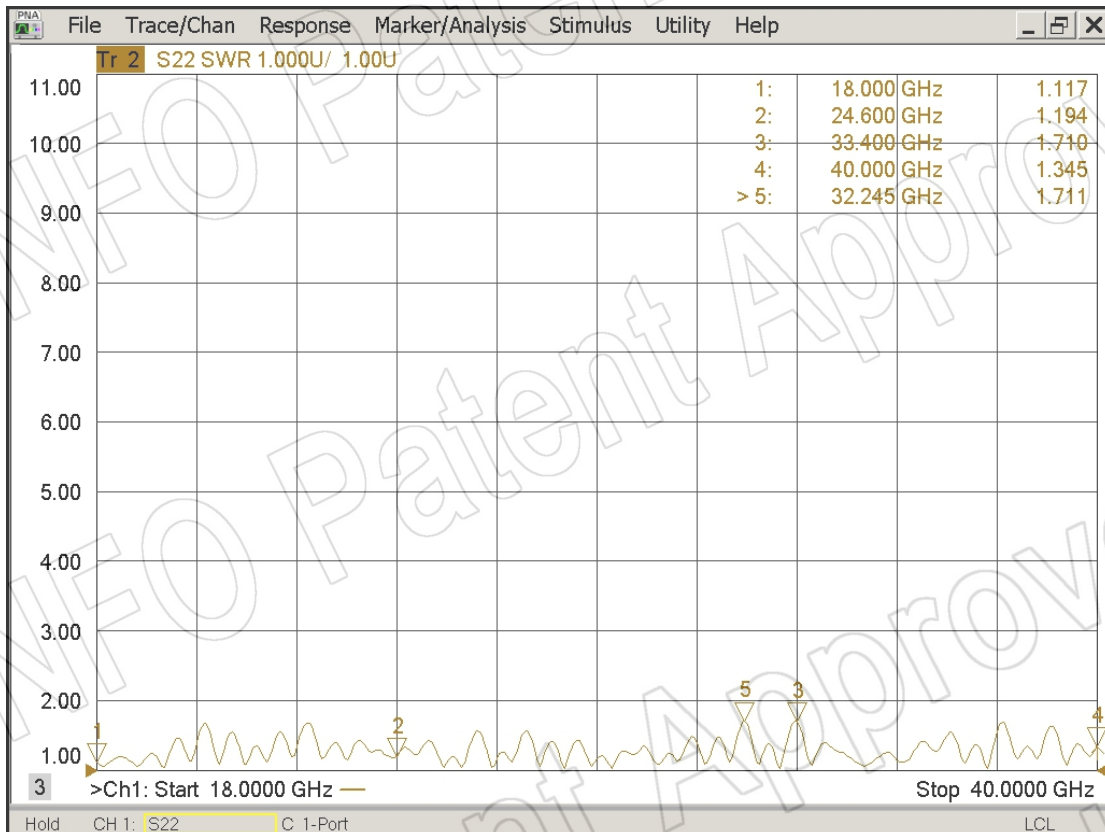
### 3. Port to Port Isolation



## 4. VSWR LHCP

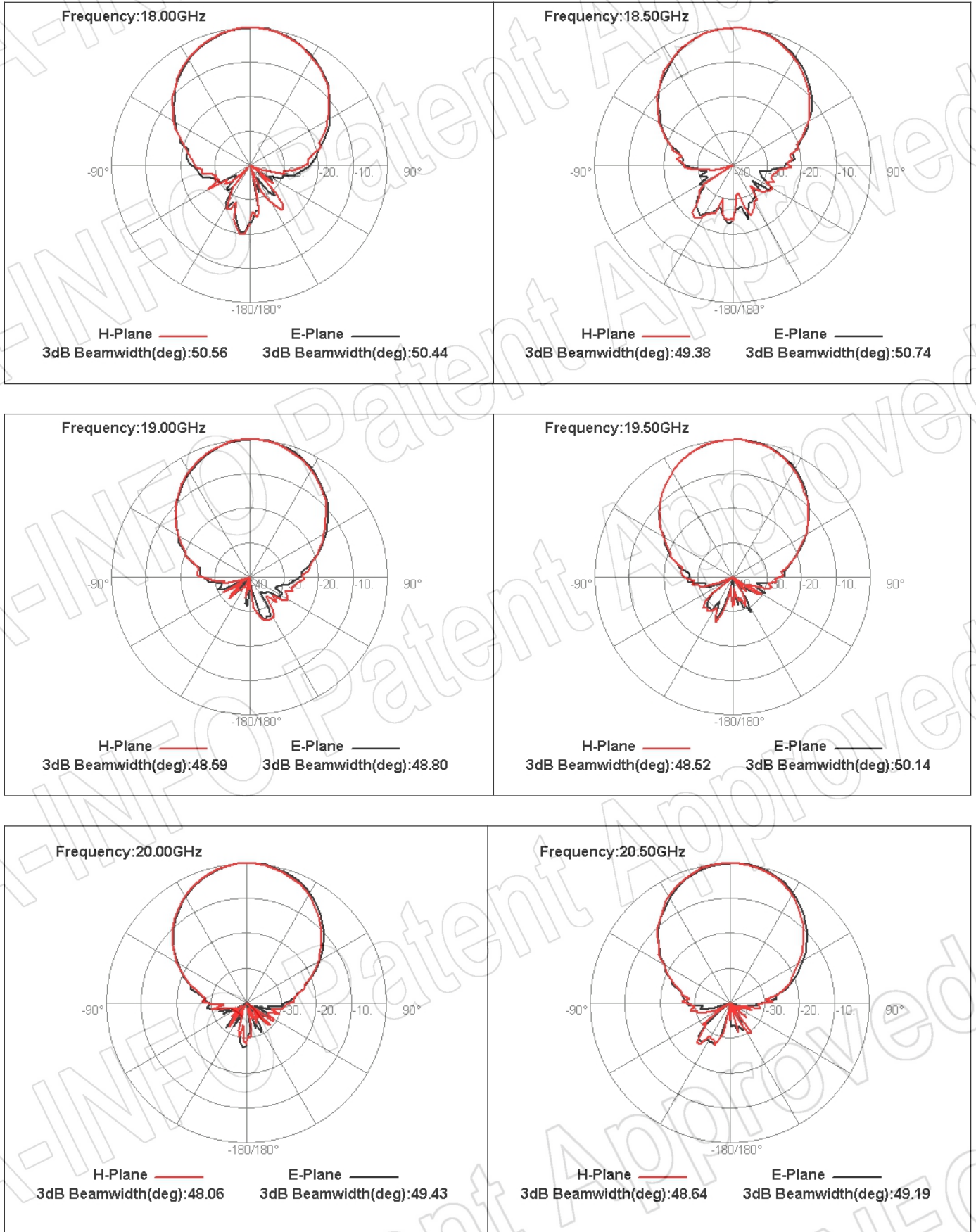


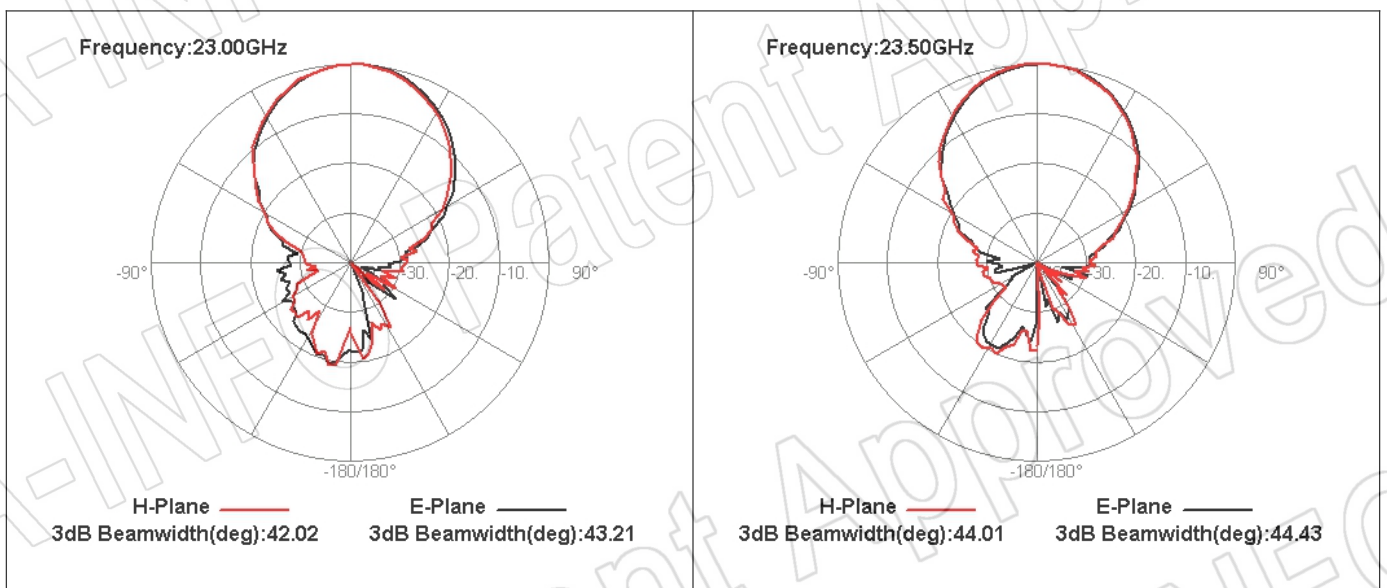
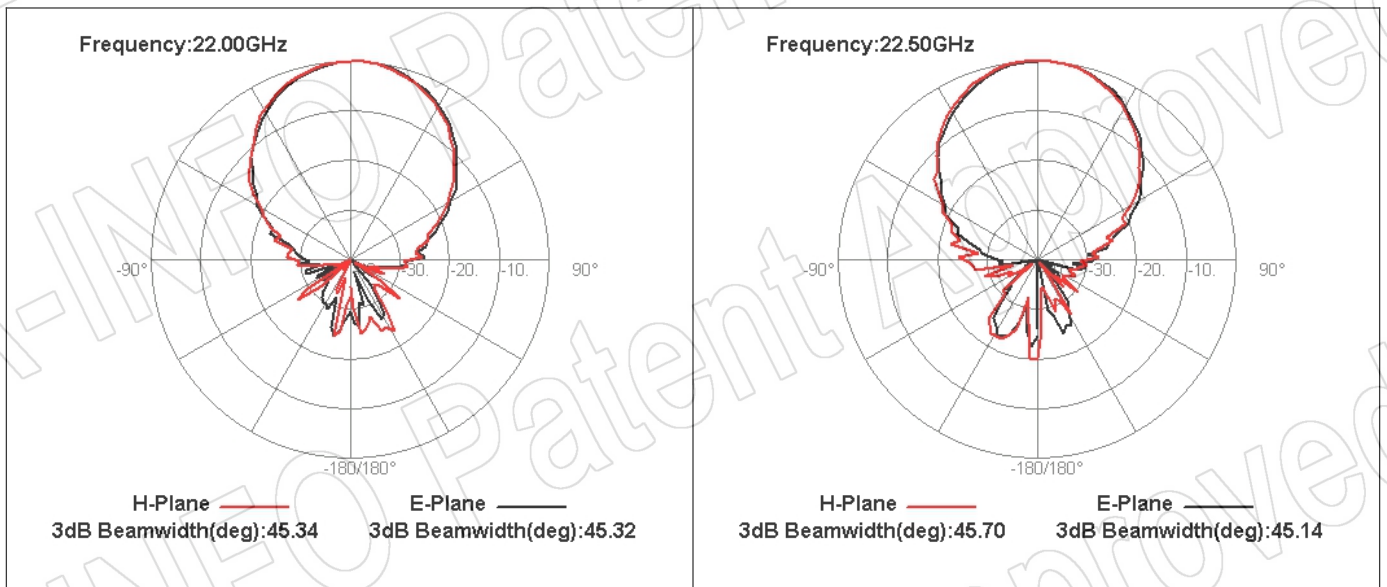
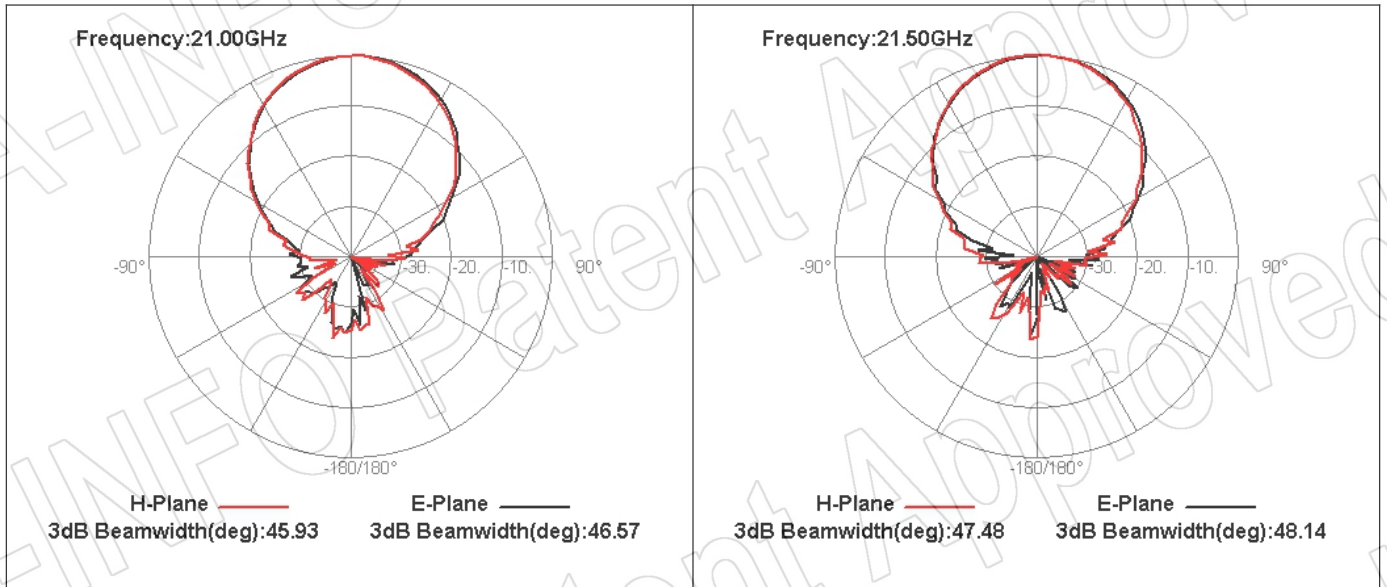
## RHCP



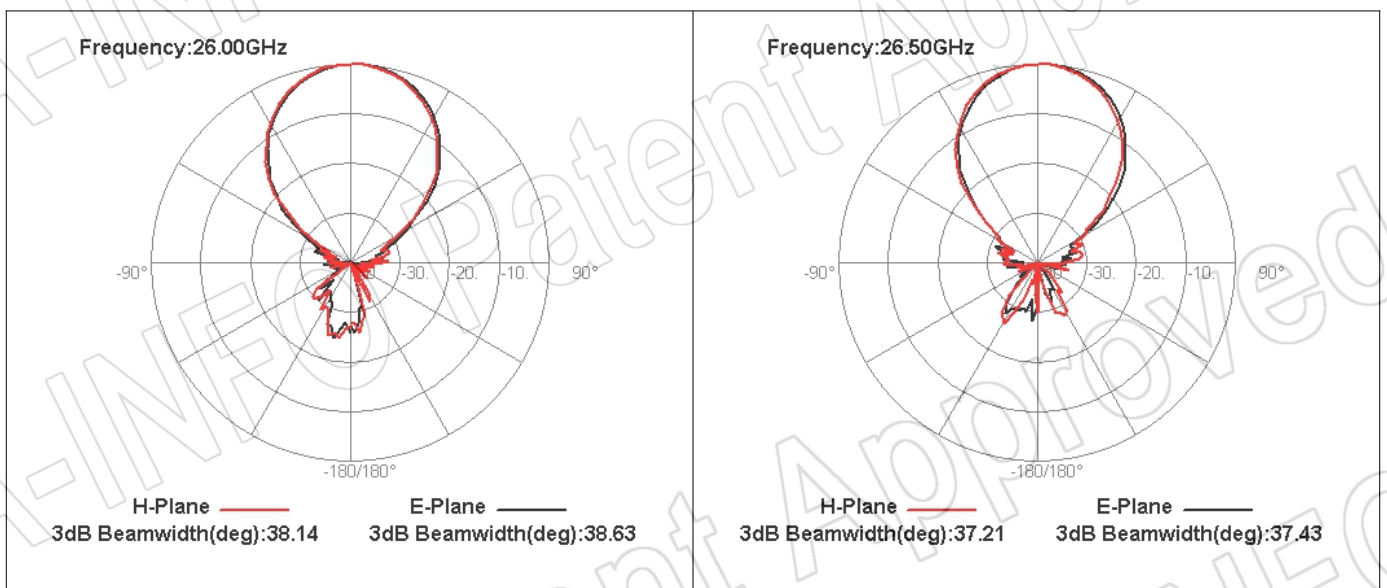
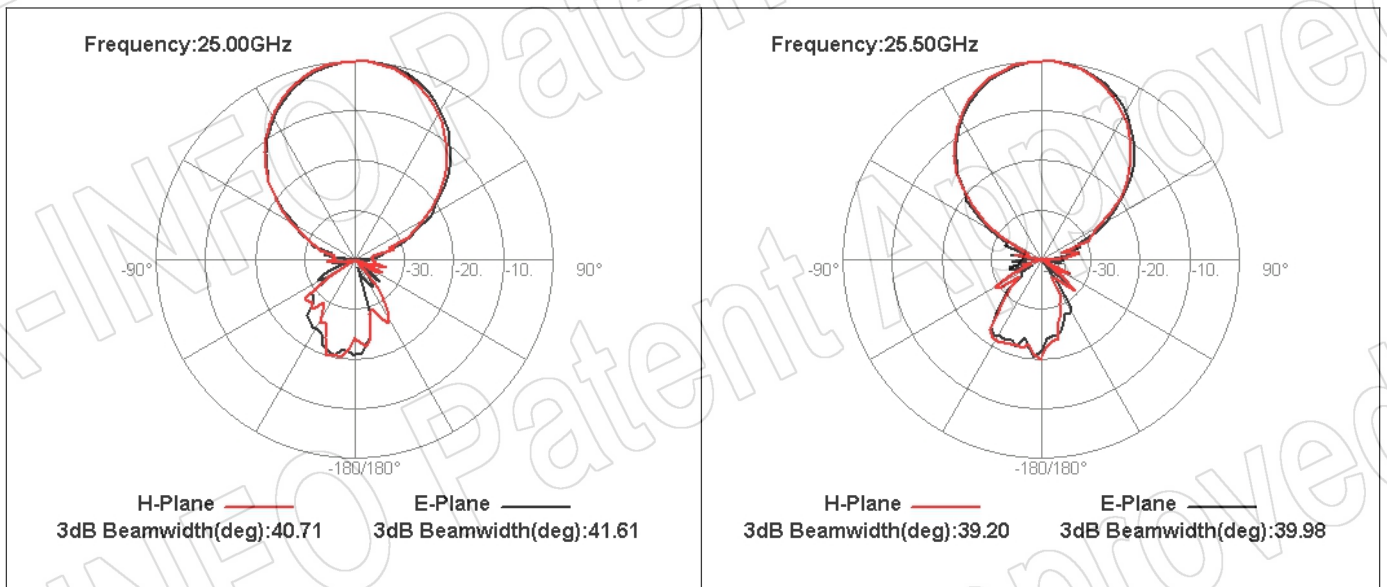
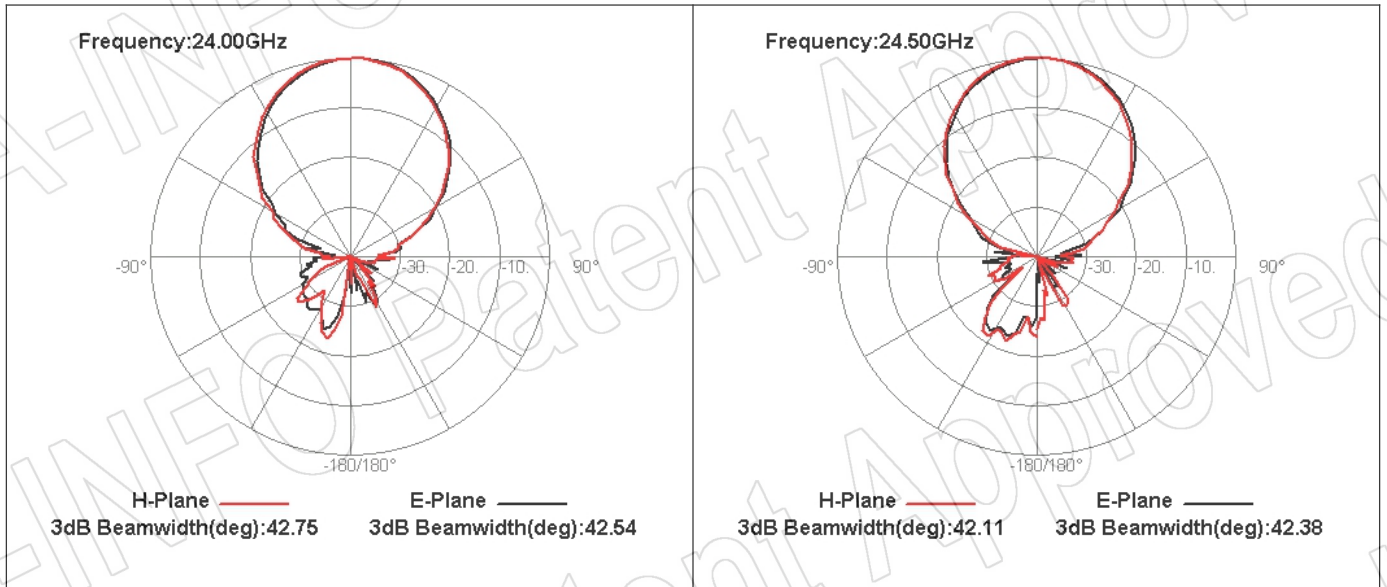
## 5. Pattern

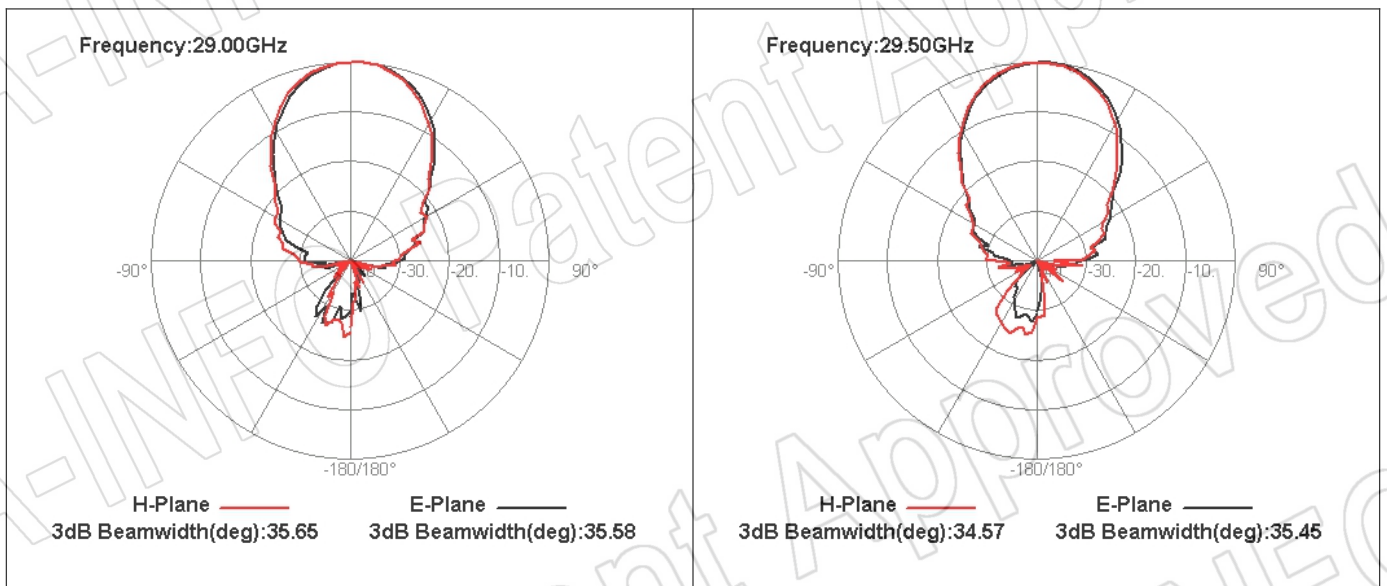
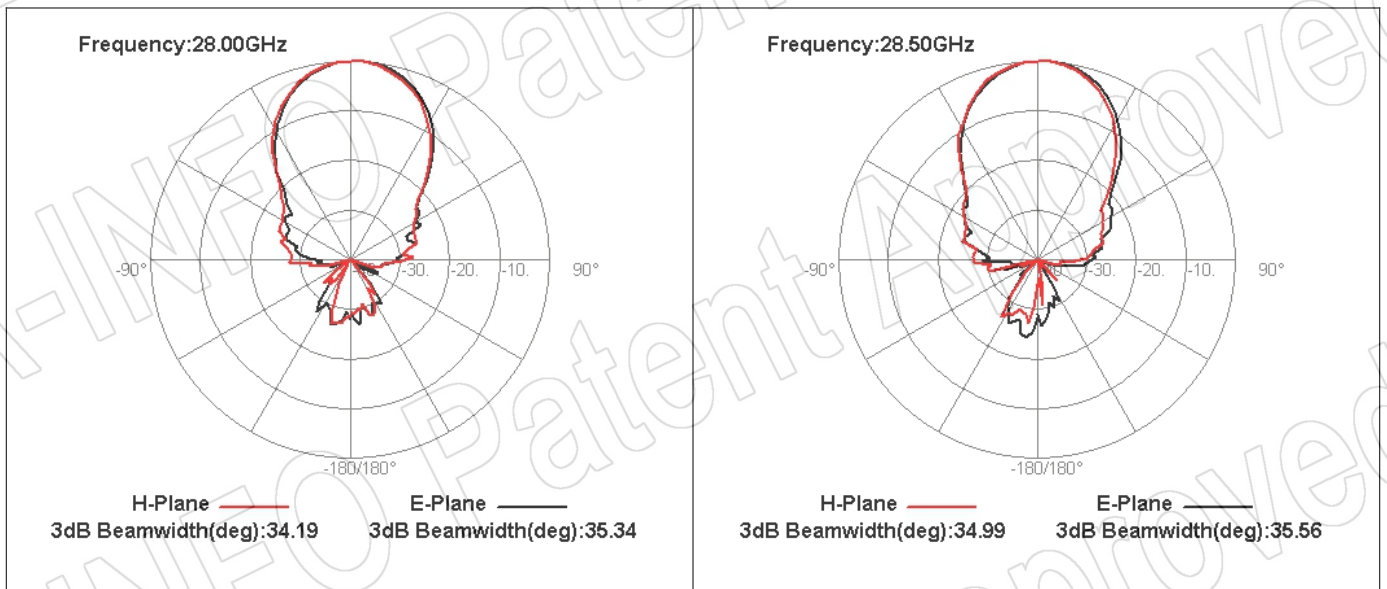
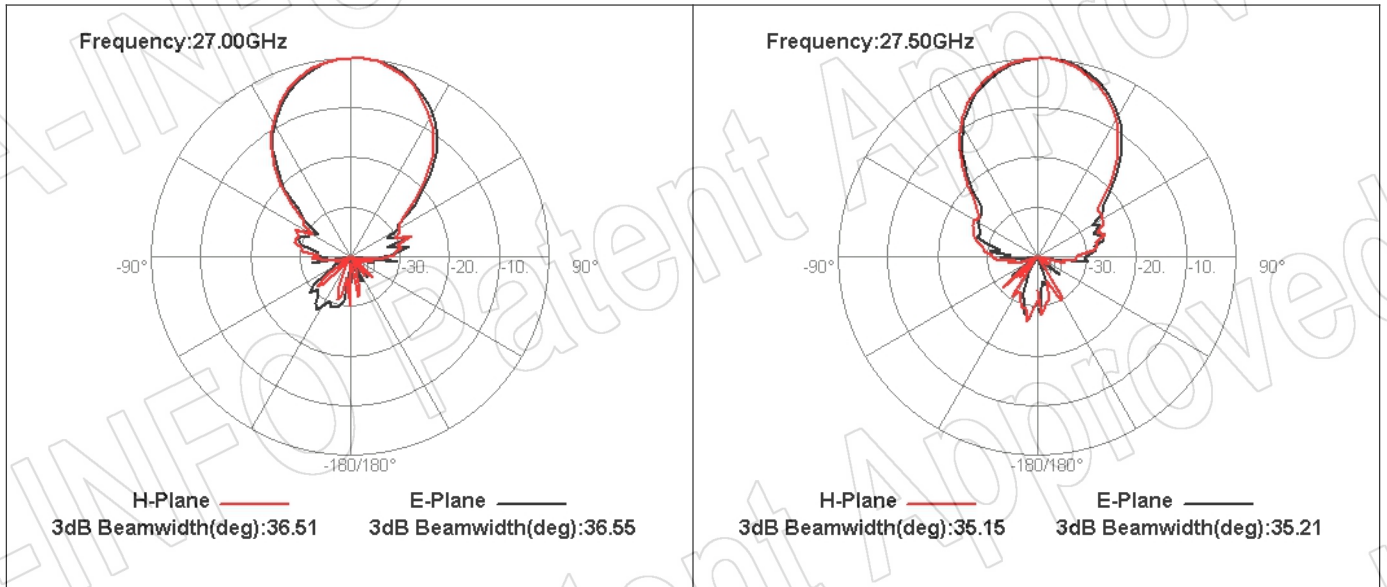
### LHCP

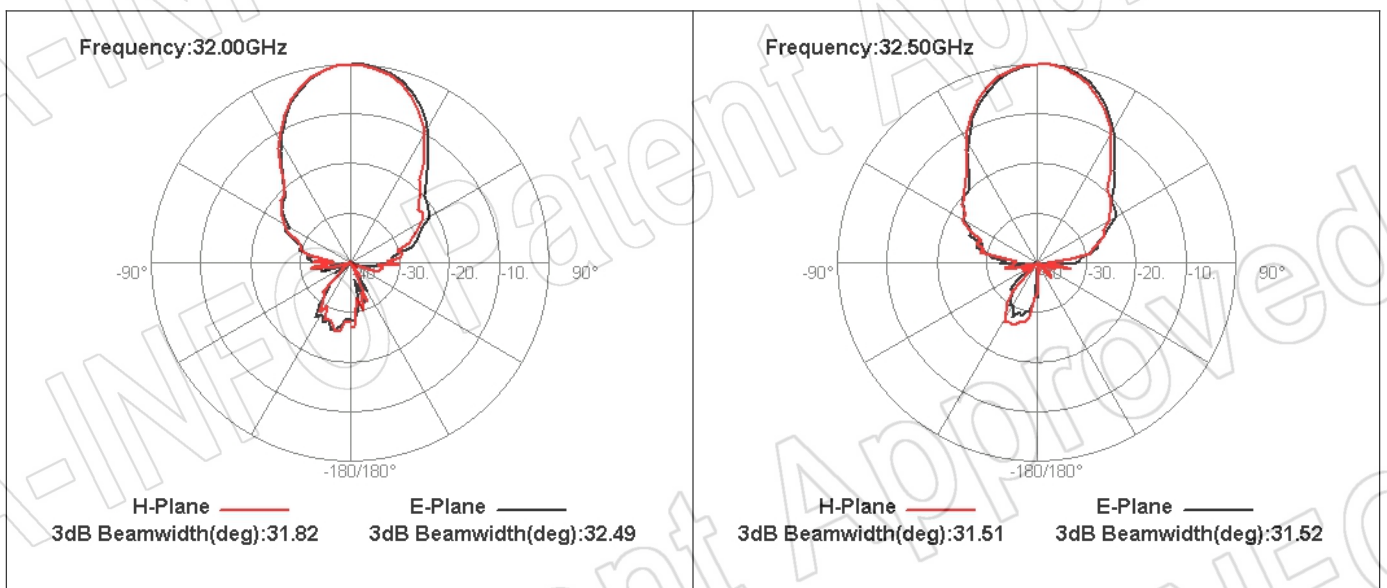
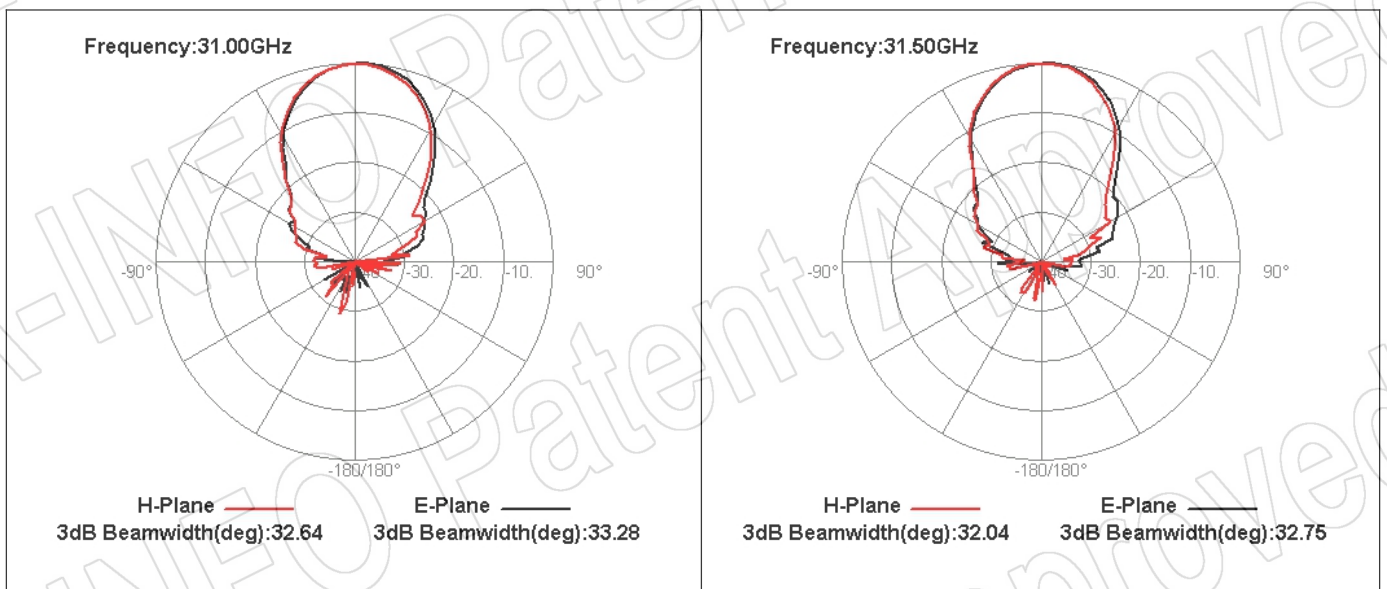
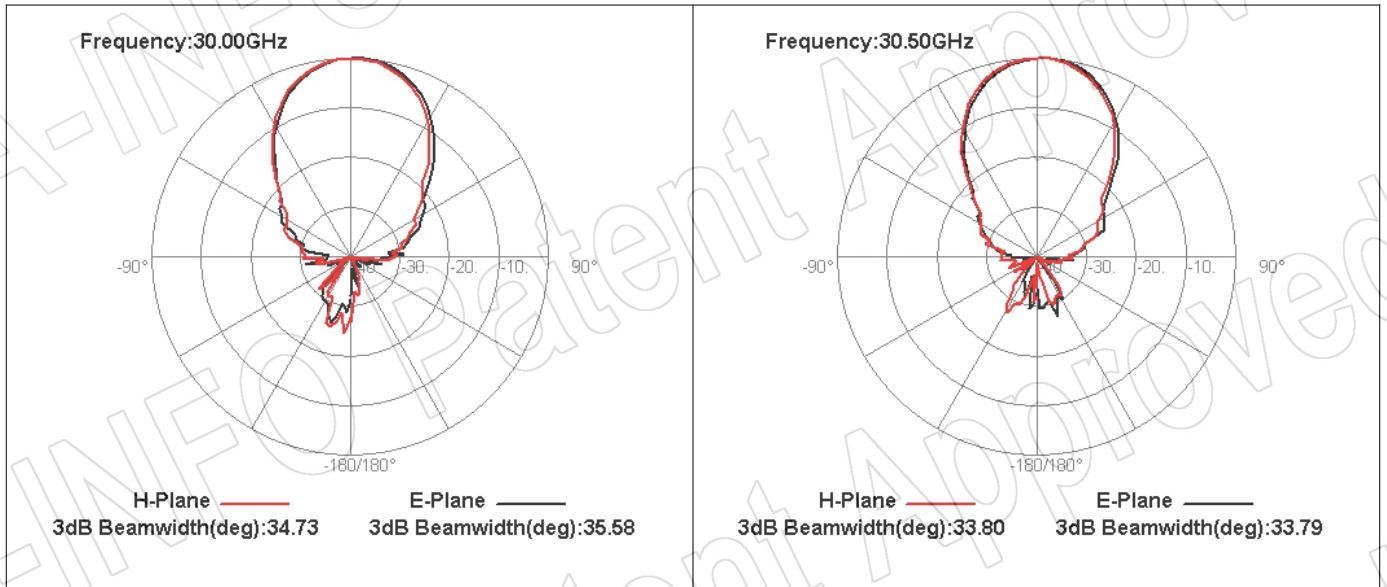


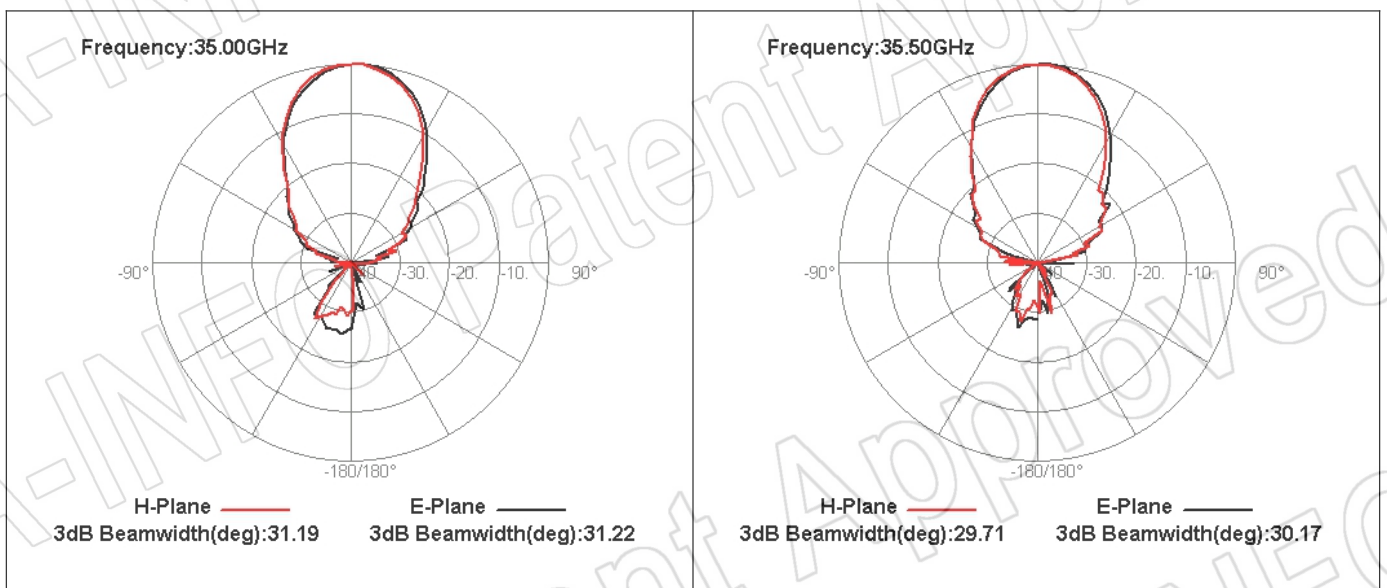
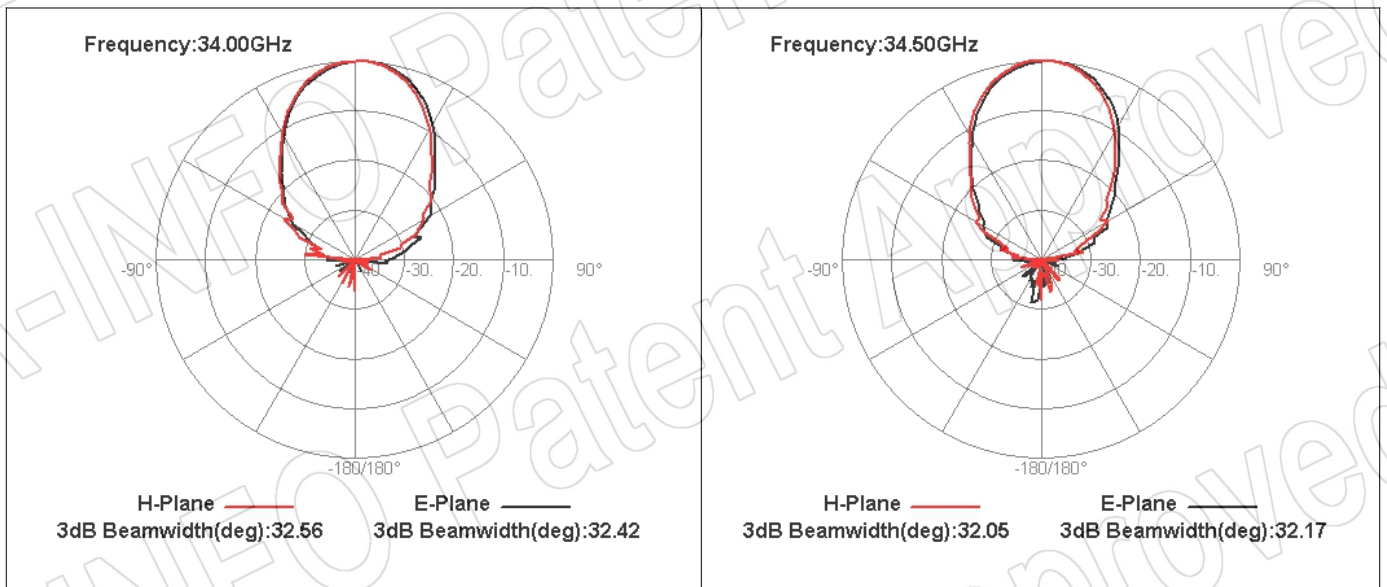
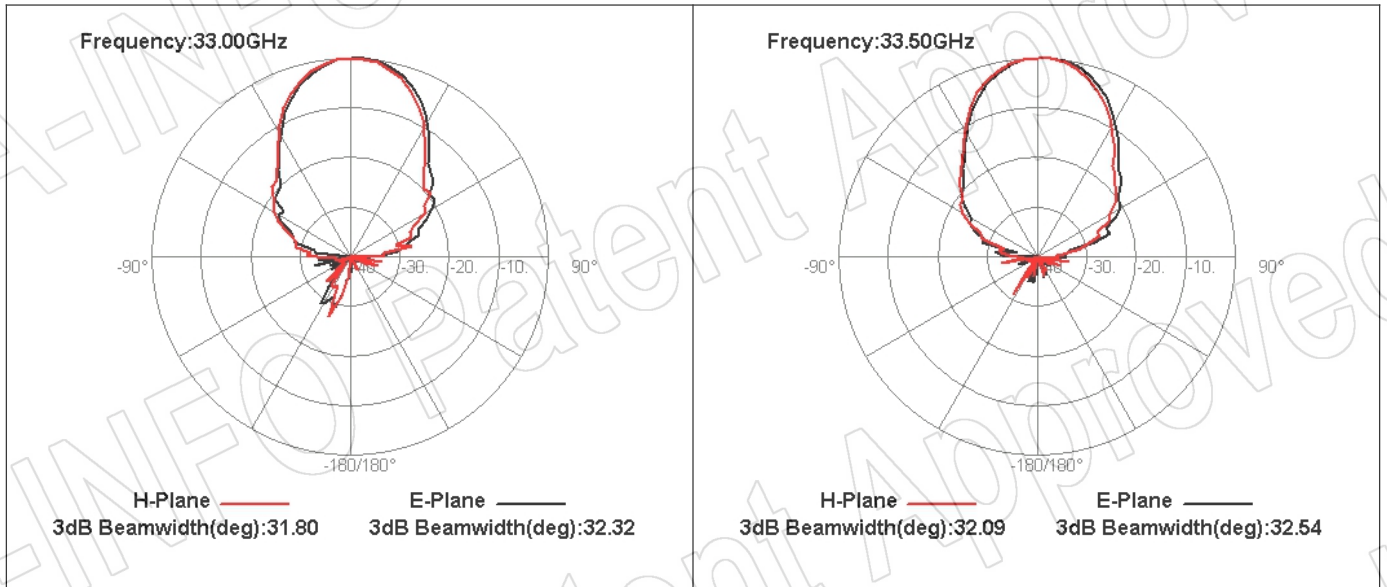


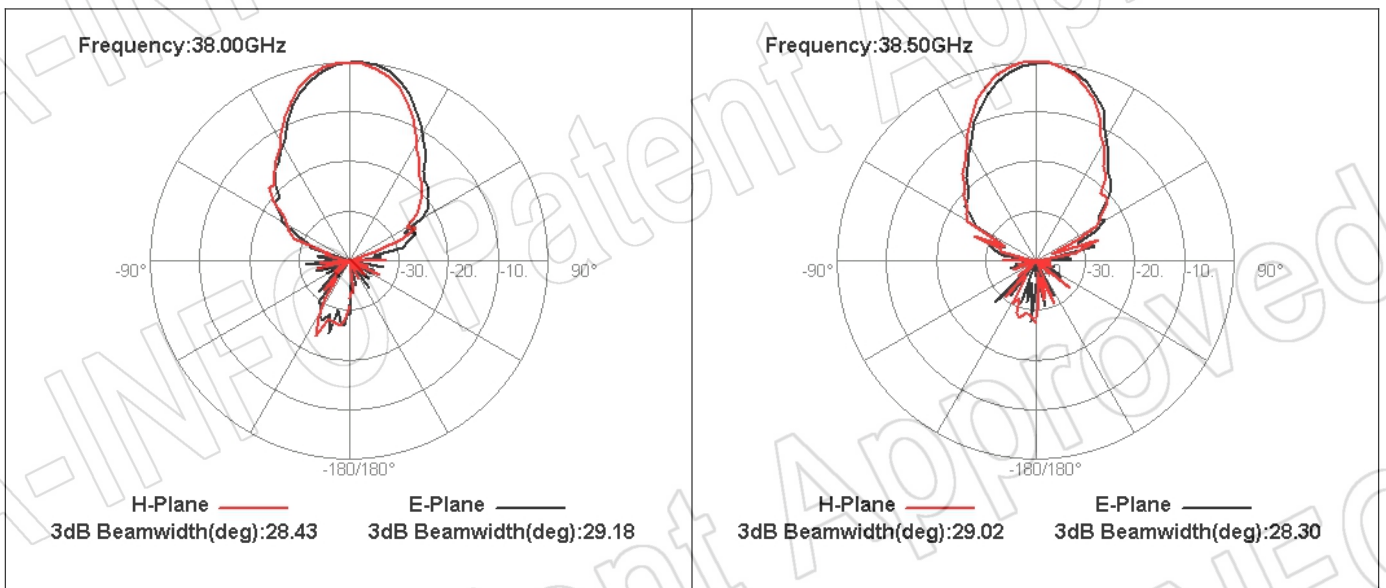
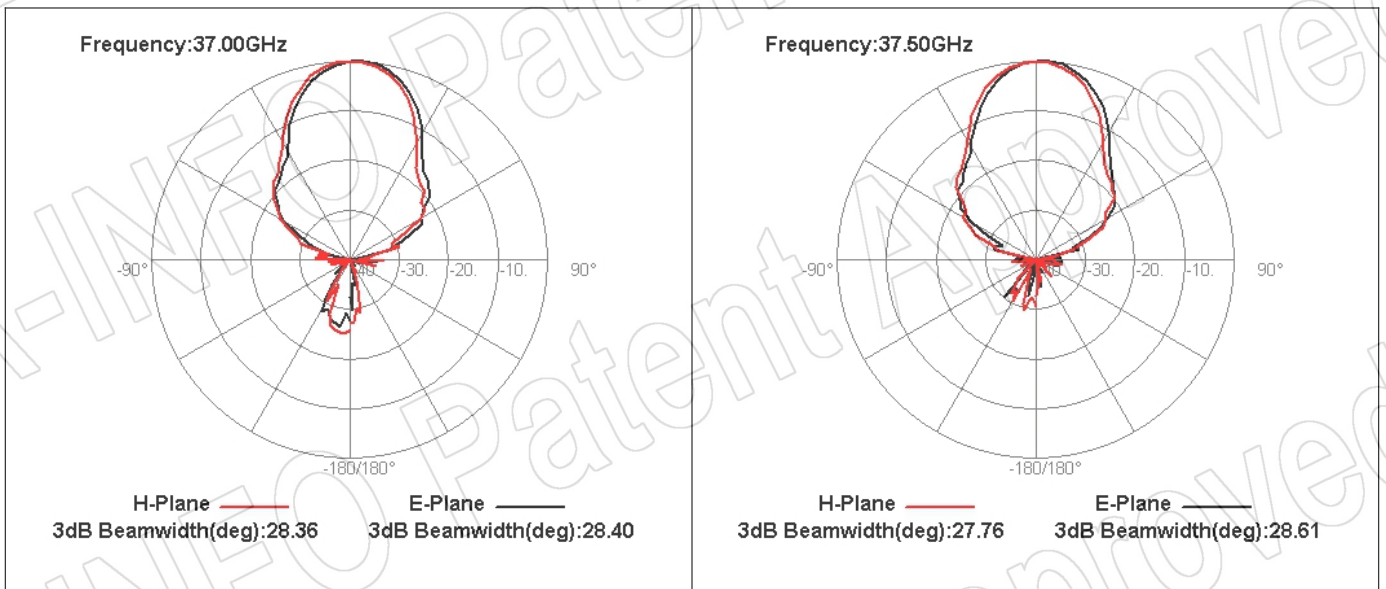
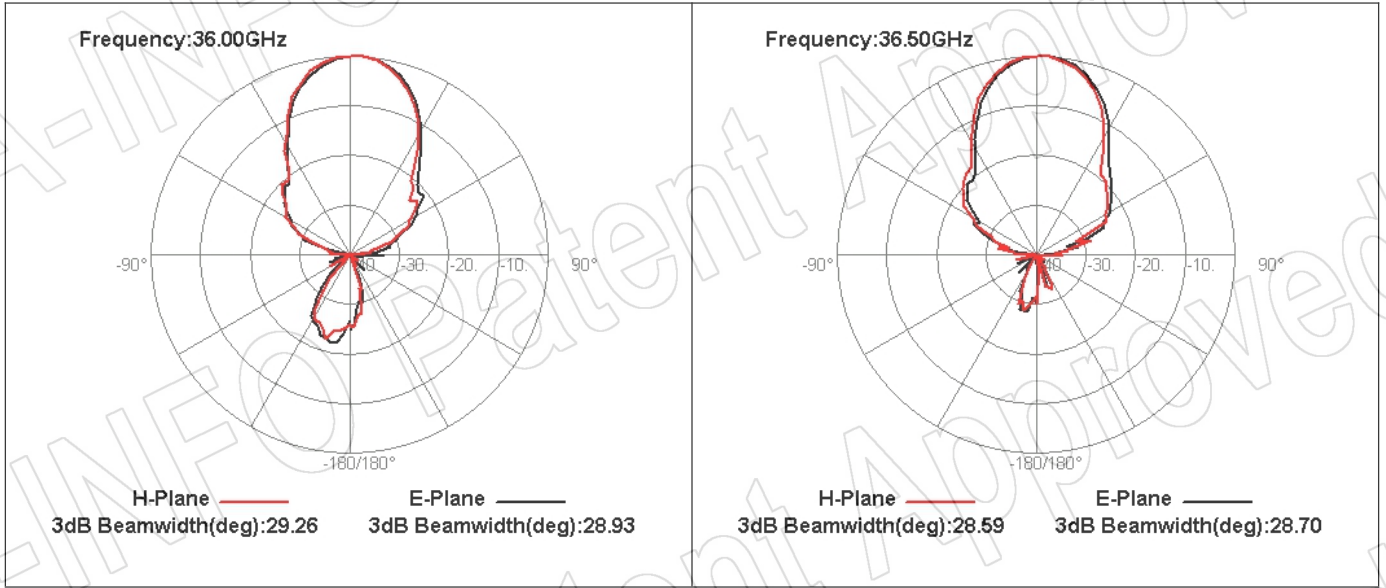


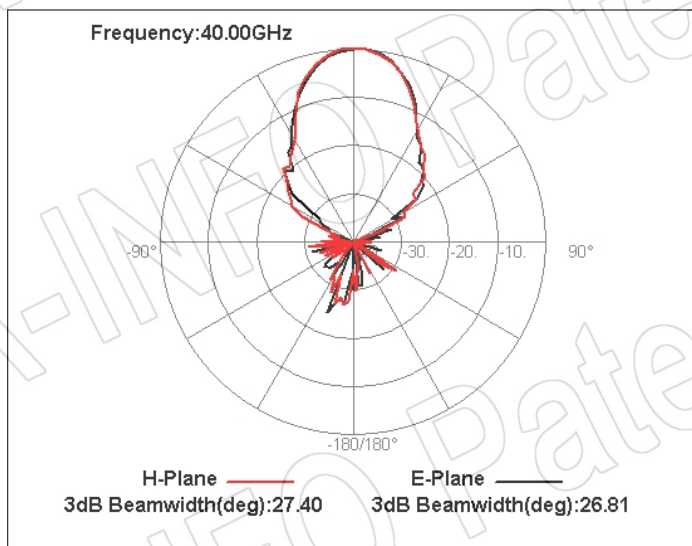
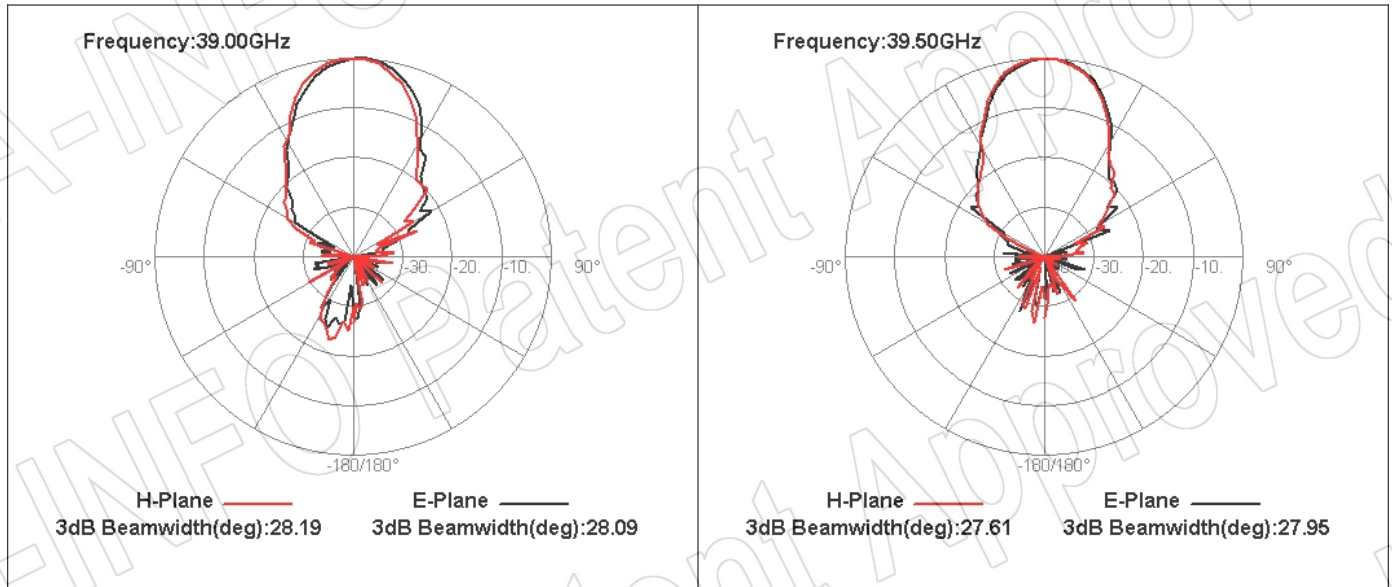












## RHCP

